

General Description: Parker BV Series Bleed Valves are designed for use on products such as multi-valve manifolds or gauge/root valves. Functionally, the valve vents line pressure either to atmosphere or to containment when used with the optional barbed vent tube. Generally, bleed valves are used whenever an instrument is removed from a system or to assist in the calibration of control devices. The BV Series is also recommended for use in bleeding hydraulic systems.

- Features:**
- Available in stainless steel
 - Vent tube directs excess gas or liquid from system lines
 - Chrome plated stem provides extended cycle life with improved sealability
 - Positive stop/vent tube design prevents accidental removal of the stem
 - Compact design
 - Wrench actuation
 - Available in a variety of end configurations including male pipe and SAE ports
 - 100% factory tested
 - Barbed vent tube option enables containment of vented media
 - Optional T-bar handle for wrench-less actuation

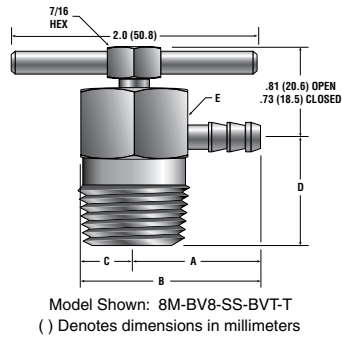
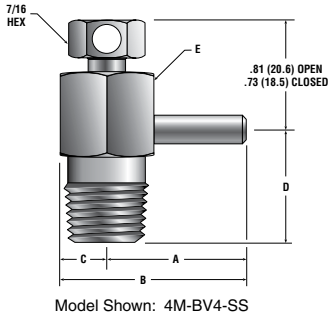
Pressure Rating: 10,000 psig CWP

Temperature Rating: Stainless Steel: -65°F to 850°F

Caution: These valves do not have a stem seal. It is imperative to open the valve slowly and direct the vent tube away from persons operating or near the valve. Because of the absence of a stem seal, small amounts of media will flow through the stem thread area when the valves are opened.

BLEED VALVES

BV SERIES



Part No.	Inlet	Outlet	A (in.)	B (in.)	C (in.)	D (in.)	E (HEX) (in.)
2M-BV4	1/8" Male NPT	3/16" O.D. Tube Stub	0.94	1.24	0.31	0.75	0.63
4M-BV4	1/4" Male NPT		0.94	1.24	0.31	0.75	0.63
6M-BV8	3/8" Male NPT		1.03	1.49	0.44	0.88	0.88
8M-BV8	1/2" Male NPT		1.03	1.49	0.44	0.88	0.88

HOW TO ORDER

The correct part number is easily derived by following the circled number sequence. The five product characteristics required are coded as shown below.

Example: **4M** - **BV4** - **SS** - **BVT** -

1
 2
 3
 4
 5

Describes a stainless steel BV4 Bleed Valve with a 1/4" male NPT inlet and a barbed vent tube outlet.

End Connection ①	Valve Series ②	Material ③	Vent Selection ④	Handle Option ⑤
2M 4M	BV4	SS - Stainless Steel	Blank - Vent Tube BVT - Barbed Vent Tube	Blank - No Handle T - Tee Bar Handle
6M 8M				