

General Description: The D, H, and V-Pak style power units are ideal for many applications. The space saving vertical style units are available with gear or piston pumps and are designed for quiet and leak-free operation.

HYDRAULIC PUMP

POWER UNITS



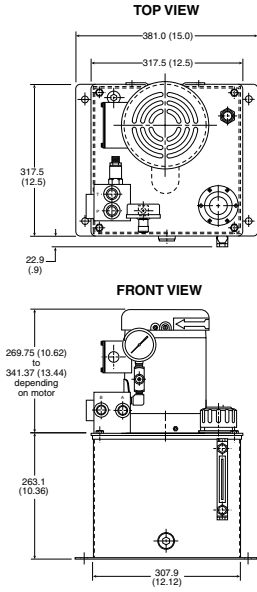
Power Unit Performance Data

Model Series	Tank (gal.)	Pump Flow, GPM @ 1725 RPM	Electric Motor (HP)	Max Pressure (PSI)
D-Pak	5	0.9 - 2.7	0.5 - 3	3000
H-Pak	10, 20, 30, 40	0.9 - 6.3	0.5 - 20	3000
V-Pak	10, 20, 30, 40	2.0 - 15.6	2 - 20	3000
V-Pak Low Profile	80	36.1	7.5 - 40	3000

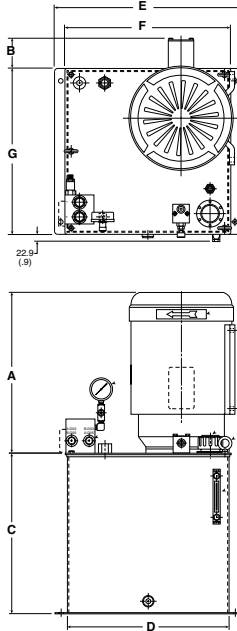
Part No.	Tank Size (gal.)/ Series	Filter (10 Micron)	Motor (HP)	Pump Flow @ 1800 RPM	Max Pressure (PSI)
D-Pak-DRIVEN1	5/D5	12AT	2	0.9	3000
D-Pak-DRIVEN2	5/D5	12AT	3	1.8	2570
H-Pak-DRIVEN1	10/H1	12AT	5	2.7	2900
H-Pak-DRIVEN2	20/H2	12AT	10	4.5	3000
V-Pak-DRIVEN1	20/V2	12AT	15	7.0	3000
V-Pak-DRIVEN2	30/V3	40CN	20	15.0	2100
V-Pak-DRIVEN3	80/V8	40CN	40	23.0	2800
V-Pak-DRIVEN4	80/V8	40CN	40	36.0	1600

**HYDRAULIC PUMP
POWER UNITS**

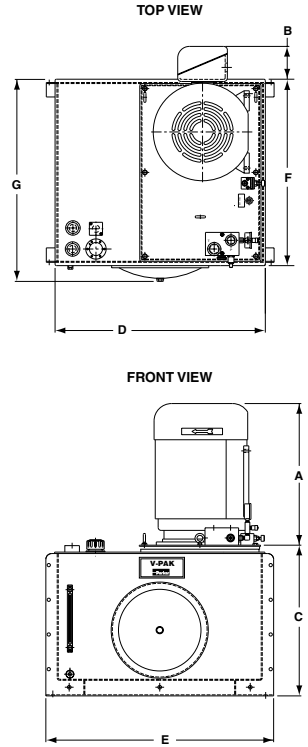
D-Pak



H-Pak & V-Pak



Low Profile V-Pak



Series	H1	H2/V2	V3	V8
A*	10.50 to 16.28	11.75 to 19.3	11.75 to 19.3	16.6 to 24.7
B*	0.75	0.75 to 3.35	0.74 to 3.35	1.88 to 5.69
C	15.36	19.36	23.62	28.56
D	16.12	19.50	19.50	36.00
E	19.00	22.50	22.50	39.00
F	16.63	20.00	20.00	32.35
G	16.63	20.00	20.00	34.59