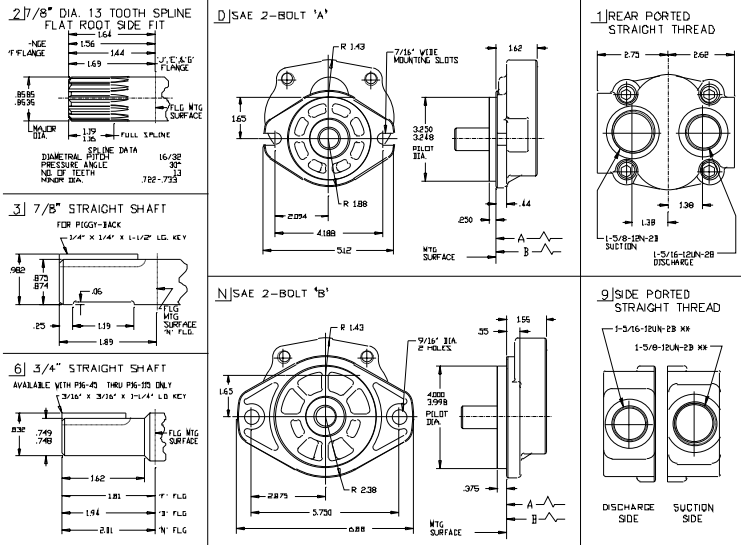


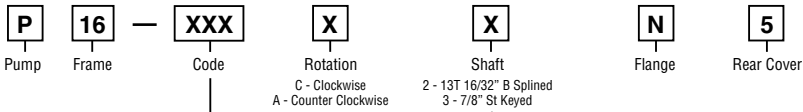
**General Description:** Displacement: See Code  
 Mounting Flange: SAE 'B' 2-Bolt  
 Ports: SAE O-Ring – Side  
 Shaft: See Code  
 Seal Material: Shaft – Viton®  
 Rotation: Clockwise or Counter Clockwise

**GEAR PUMPS**

**P16 RAPID RESPONSE**



**Model Code**



Code	CC	CIR	Inlet Port	Outlet Port	Dim A	Dim B	Shaft	Order Number	
								Clockwise	Counter Clockwise
85	27.2	1.66in <sup>3</sup> /rev	Side #20	Side #12	3.90	4.91	3	0301566R	0301911R
115	36.7	2.24in <sup>3</sup> /rev	Side #20	Side #12	4.22	5.23	3	0301562R	0301580R
150	48.0	2.93in <sup>3</sup> /rev	Side #20	Side #12	4.59	5.60	3	0301567R	0301588R
180	57.5	3.51in <sup>3</sup> /rev	Side #20	Side #12	4.91	5.92	3	0301565R	0301564R
85	27.2	1.66in <sup>3</sup> /rev	Side #20	Side #12	3.90	4.91	2	0120329R	0120330R
115	36.7	2.24in <sup>3</sup> /rev	Side #20	Side #12	4.22	5.23	2	0120615R	0120614R
150	48.0	2.93in <sup>3</sup> /rev	Side #20	Side #12	4.59	5.60	2	0120769R	0120768R
180	57.5	3.51in <sup>3</sup> /rev	Side #20	Side #12	4.91	5.92	2	0120915R	0120916R