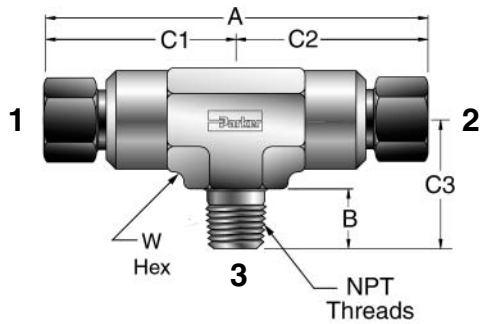


MPI™ TO MALE BRANCH NPT TEE

SERIES SBMP7



Part No.	MPI™ Size #1 (in.)	MPI™ Size #2 (in.)	NPT Thr'd #3 (in.)	A (in.)	C1 (in.)	C2 (in.)	C3 (in.)	B (in.)	W Hex (in.)	Working Pressure (PSIG)
4-4-4 SBMP7	1/4	1/4	1/4 - 18	3.25	1.63	1.63	1.13	.57	3/4	15,000
4-4-6 SBMP7	1/4	1/4	3/8 - 18	3.25	1.63	1.63	1.13	.57	3/4	12,000
6-6-4 SBMP7	3/8	3/8	1/4 - 18	3.72	1.86	1.86	1.23	.57	7/8	12,500
6-6-6 SBMP7	3/8	3/8	3/8 - 18	3.72	1.86	1.86	1.23	.57	7/8	12,000