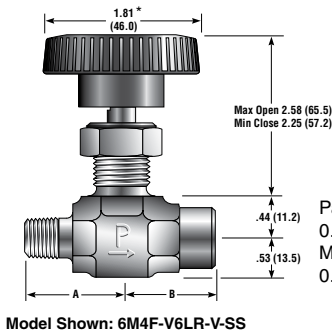
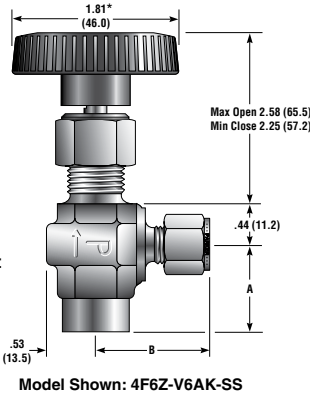


NEEDLE VALVES

V6 SERIES



Panel Hole Diameter:
0.45
Max Panel Thickness:
0.25



* Note: Handle diameter for K Stem V6 Series Valves is 1.38

NEEDLE VALVES

V6 SERIES

Part No.		End Connections			Flow Data					Dimensions	
Inline	Angle	Inlet (Port 1)	Outlet (Port 2)	Stem Type	Orifice (in.)	C_v	X_T^*	C_v	X_T^*	A† (in.)	B† (in.)
4F-V6LR	4F-V6AR	1/4" Female NPT		Blunt	0.228	0.73	0.90	1.23	0.50	0.94	0.94
4F-V6LN	4F-V6AN	1/4" Female NPT		Needle	0.228	0.55	0.61	0.92	0.62	0.94	0.94
4F-V6LK	4F-V6AK	1/4" Female NPT		PCTFE	0.228	0.80	0.87	1.23	0.56	0.94	0.94
6A-V6LR	6A-V6AR	3/8" Compression A-LOK®		Blunt	0.228	0.73	0.90	1.23	0.50	1.29	1.29
6A-V6LN	6A-V6AN	3/8" Compression A-LOK®		Needle	0.228	0.55	0.61	0.92	0.62	1.29	1.29
6A-V6LK	6A-V6AK	3/8" Compression A-LOK®		PCTFE	0.228	0.80	0.87	1.23	0.56	1.29	1.29
6M-V6LR	6M-V6AR	3/8" Male NPT		Blunt	0.228	0.73	0.90	1.23	0.50	1.03	1.03
6M-V6LN	6M-V6AN	3/8" Male NPT		Needle	0.228	0.55	0.61	0.92	0.62	1.03	1.03
6M-V6LK	6M-V6AK	3/8" Male NPT		PCTFE	0.228	0.80	0.87	1.23	0.56	1.03	1.03
6Z-V6LR	6Z-V6AR	3/8" Compression CPI™		Blunt	0.228	0.73	0.90	1.23	0.50	1.29	1.29
6Z-V6LN	6Z-V6AN	3/8" Compression CPI™		Needle	0.228	0.55	0.61	0.92	0.62	1.29	1.29
6Z-V6LK	6Z-V6AK	3/8" Compression CPI™		PCTFE	0.228	0.80	0.87	1.23	0.56	1.29	1.29
8A-V6LR	8A-V6AR	1/2" Compression A-LOK®		Blunt	0.228	0.73	0.90	1.23	0.50	1.40	1.40
8A-V6LN	8A-V6AN	1/2" Compression A-LOK®		Needle	0.228	0.55	0.61	0.92	0.62	1.40	1.40
8A-V6LK	8A-V6AK	1/2" Compression A-LOK®		PCTFE	0.228	0.80	0.87	1.23	0.56	1.40	1.40
8Z-V6LR	8Z-V6AR	1/2" Compression CPI™		Blunt	0.228	0.73	0.90	1.23	0.50	1.40	1.40
8Z-V6LN	8Z-V6AN	1/2" Compression CPI™		Needle	0.228	0.55	0.61	0.92	0.62	1.40	1.40
8Z-V6LK	8Z-V6AK	1/2" Compression CPI™		PCTFE	0.228	0.80	0.87	1.23	0.56	1.40	1.40

* Tested in accordance with ISA S75.02. Gas flow will be choked when $P_1 - P_2 / P_1 = x_c$.
† For CPI™ and A-LOK®, dimensions are measured with nuts in the finger tight position.