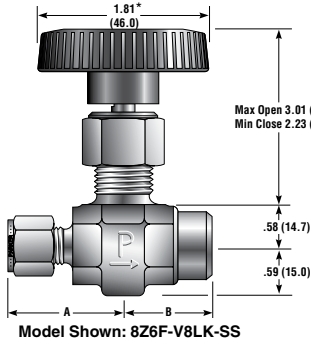
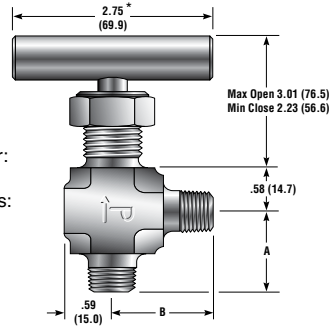


NEEDLE VALVES

V8 SERIES



Model Shown: 8Z6F-V8LK-SS



Model Shown: 8M-V8AN-EPR-SS

Panel Hole Diameter:
0.77
Max Panel Thickness:
0.40

* Note: Handles for N or R Stem V8 Series Valves are a T-bar

NEEDLE VALVES

V8 SERIES

Part No.		End Connections			Flow Data					Dimensions	
Inline	Angle	Inlet (Port 1)	Outlet (Port 2)	Stem Type	Orifice (in.)	Inline		Angle		A†	B†
						C_v	X_T^*	C_v	X_T^*	Inch	Inch
6F-V8LR	6F-V8AR	3/8" Female NPT		Blunt	0.312	1.23	0.87	1.66	0.72	1.34	1.34
6F-V8LN	6F-V8AN	3/8" Female NPT		Needle	0.312	1.05	0.83	1.28	0.80	1.34	1.34
6F-V8LK	6F-V8AK	3/8" Female NPT		PCTFE	0.312	1.29	0.91	1.90	0.76	1.34	1.34
8A-V8LR	8A-V8AR	1/2" Compression A-LOK®		Blunt	0.312	1.23	0.87	1.66	0.72	1.53	1.53
8A-V8LN	8A-V8AN	1/2" Compression A-LOK®		Needle	0.312	1.05	0.83	1.28	0.80	1.53	1.53
8A-V8LK	8A-V8AK	1/2" Compression A-LOK®		PCTFE	0.312	1.29	0.91	1.90	0.76	1.53	1.53
8M-V8LR	8M-V8AR	1/2" Male NPT		Blunt	0.312	1.23	0.87	1.66	0.72	1.34	1.34
8M-V8LN	8M-V8AN	1/2" Male NPT		Needle	0.312	1.05	0.83	1.28	0.80	1.34	1.34
8M-V8LK	8M-V8AK	1/2" Male NPT		PCTFE	0.312	1.29	0.91	1.90	0.76	1.34	1.34
8Z-V8LR	8Z-V8AR	1/2" Compression CPI™		Blunt	0.312	1.23	0.87	1.66	0.72	1.53	1.53
8Z-V8LN	8Z-V8AN	1/2" Compression CPI™		Needle	0.312	1.05	0.83	1.28	0.80	1.53	1.53
8Z-V8LK	8Z-V8AK	1/2" Compression CPI™		PCTFE	0.312	1.29	0.91	1.90	0.76	1.53	1.53

* Tested in accordance with ISA S75.02. Gas flow will be choked when $P_1 - P_2 / P_1 = x_T$.
† For CPI™ and A-LOK®, dimensions are measured with nuts in the finger tight position.